



1650-7T VC

1950-7T VC



VOSCH EQUIPMENT

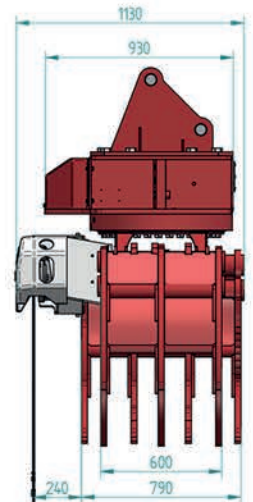
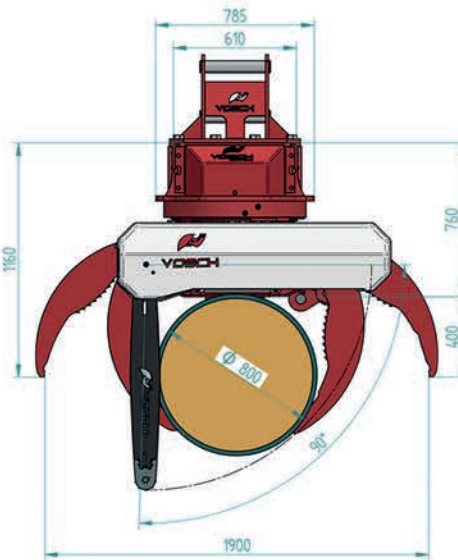
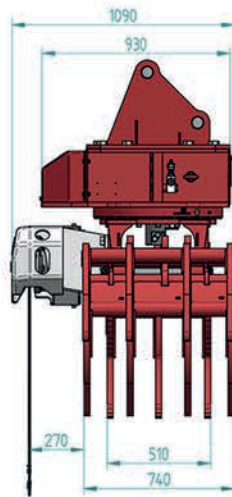
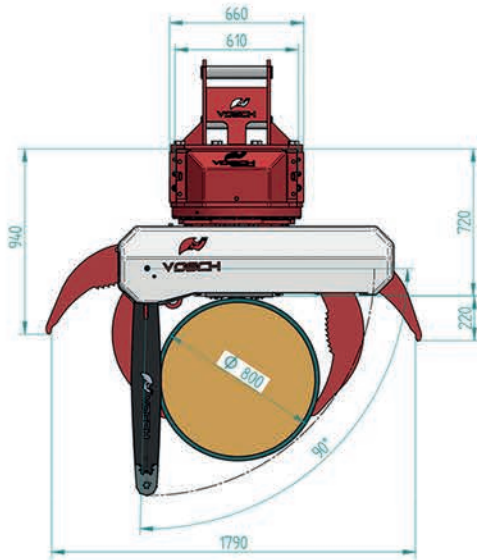
Blackweg 14 • 46446 • Emmerich am Rhein • Germany • +49 (0)2822 / 713 1991 • info@vosch.equipment





VOSCH

EXCEEDING ATTACHMENTS



1650-7T VC

1950-7T VC

1.150
15-21
350
120
220
1.790
800
30
40" / 101
3/4"
55
58
7
P,T, drain, CAN-bus
VOSCH Control
Track, wheel steering
Mult. Tiltrotator brands

Weight incl. saw unit (kg)
Carrier machine (ton)
Pressure max (bar)
Oil flow min (l/min)
Oil flow max (l/min)
Max grapple open (mm)
Max cutting diameter (mm)
Saw motor displ. (ccm)
Saw bar (inch/cm)
Saw chain pitch
Closing force (kN)
Rotation force (kN)
Tines (pcs)
Connections
MACS
Optional
Compatible with

1.420
18-30
350
120
220
1.900
800
30
40" / 101
3/4"
76
60
7
P,T, drain, CAN-bus
VOSCH Control
Track, wheel steering
Mult. Tiltrotator brands

VOSCH EQUIPMENT



+49 (0) 2822 713 1991



+31 (0)6 333 1317 3



info@vosch.equipment

